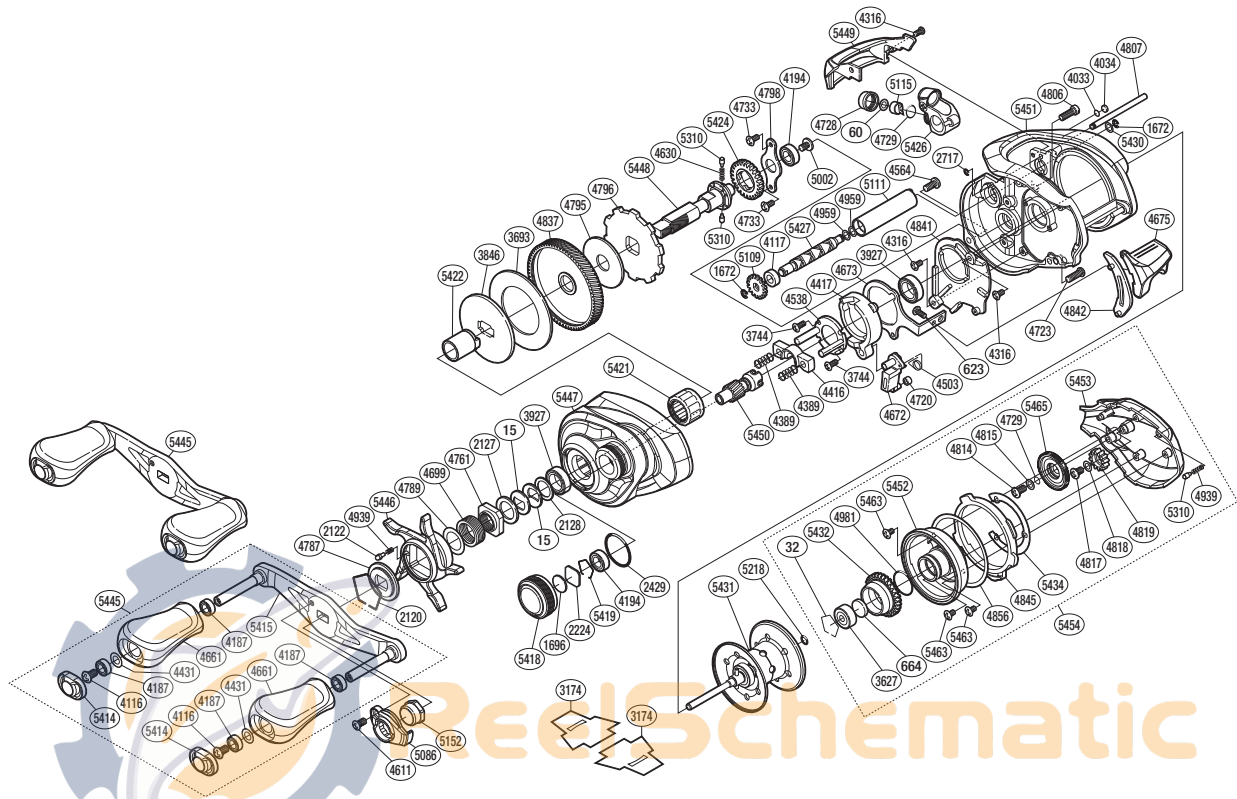


SHIMANO

Metanium
MGL

S A-RB

META MGL-L



Please note that the number of adjusting washers may not be the same as shown in the exploded views. (Adjustment will vary with each individual product.)

(51RH960151X)

Part No.	Description	Part No.	Description	Part No.	Description
BNT0015	Drag Spring Washer	BNT4630	Idle Gear Spring	BNT5109	Idle Gear
BNT0032	Bearing Retainer	BNT4661	Handle Knob	BNT5111	Level Wind Guard
BNT0060	Spacer	BNT4672	Clutch Pawl	BNT5115	Line Guide Pawl
BNT0623	Screw	BNT4673	Clutch Plate	BNT5152	Handle Nut
BNT0664	Spacer B	BNT4675	Quick-Fire li Clutch Bar	BNT5218	O Ring
BNT1672	E Lock	BNT4699	Star Drag Spring	BNT5310	Idle Gear Pin
BNT1696	Cast Control Spacer	BNT4720	Clutch Pawl Bushing	BNT5414	Handle Knob Seal
BNT2120	Click Plate Retainer	BNT4723	Screw	BNT5415	Handle Shank Assembly
BNT2122	Click Pin	BNT4728	Pawl Cap	BNT5418	Cast Control Cap
BNT2127	Star Drag Spacer	BNT4729	O Ring	BNT5419	Bearing Retainer
BNT2128	Bearing Washer	BNT4733	Screw	BNT5421	Roller Clutch Bearing
BNT2224	Spool Tension Spacer	BNT4761	Star Drag Nut	BNT5422	Roller Clutch Inner Tube
BNT2429	O Ring	BNT4787	Star Drag Click Plate	BNT5424	Idle Gear
BNT2717	E Lock	BNT4789	Washer	BNT5426	Line Guide
BNT3627	Ball Bearing	BNT4795	Drag Washer	BNT5427	Worm Shaft
BNT3693	Drag Washer	BNT4796	Anti-Reverse Ratchet	BNT5430	Washer
BNT3744	Screw	BNT4798	Drive Shaft Retainer	BNT5431	Spool Assembly(With Bearing)
BNT3846	Key Washer	BNT4806	Screw	BNT5432	Brake Pipe Gear
BNT3927	Ball Bearing	BNT4807	Level Wind Guide	BNT5434	Washer
BNT4033	Washer	BNT4814	Screw	BNT5445	Handle Assembly
BNT4034	Anti-Thrust Washer	BNT4815	Washer	BNT5446	Star Drag
BNT4116	Screw	BNT4817	Screw	BNT5447	Left Side Plate
BNT4117	Bushing	BNT4818	Washer	BNT5448	Drive Shaft
BNT4187	Ball Bearing	BNT4819	Idle Gear	BNT5449	Level Wind Protector
BNT4194	Ball Bearing	BNT4837	Drive Gear	BNT5450	Pinion Gear
BNT4316	Screw	BNT4841	Clutch Guard	BNT5451	Frame
BNT4389	Yoke Spring	BNT4842	Clutch Bar Guide	BNT5452	Brake Case
BNT4416	Yoke	BNT4845	Side Plate Cam Lever	BNT5453	Right Side Plate
BNT4417	Clutch Cam	BNT4856	Washer	BNT5454	Right Side Plate Assembly
BNT4431	Washer	BNT4939	Click Spring	BNT5463	Screw
BNT4503	Clutch Pawl Spring	BNT4959	Washer	BNT5465	Br Dial
BNT4538	Clutch Cam Retainer	BNT4981	O Ring		
BNT4564	Screw	BNT5002	Screw	BNT3174	Reel Seat Spacer (accessory)
BNT4611	Screw	BNT5086	Handle Retainer	BNT4692	B-100 Oil (accessory)